

**FS 100**

Grid 1,0  
Spring travel 6,35 mm

Technical Data

Minimum grid distance:	1,0 mm
Maximum spring travel:	6,35 mm
Recommended lifting height:	80%
Spring force at 4/5 spring travel:	0,8 N
E-value (collar height) defines the installation height	0 mm
Rated current:	2 A
Contact resistance:	20 mΩ
Pin housing:	Nickel-Silver, gold-plated
Barrel:	Bronze, gold-plated
Spring:	Steel, gold-plated
Piston:	Steel or BeCu, gold-plated

**Receptacles**

SH-100 00 W

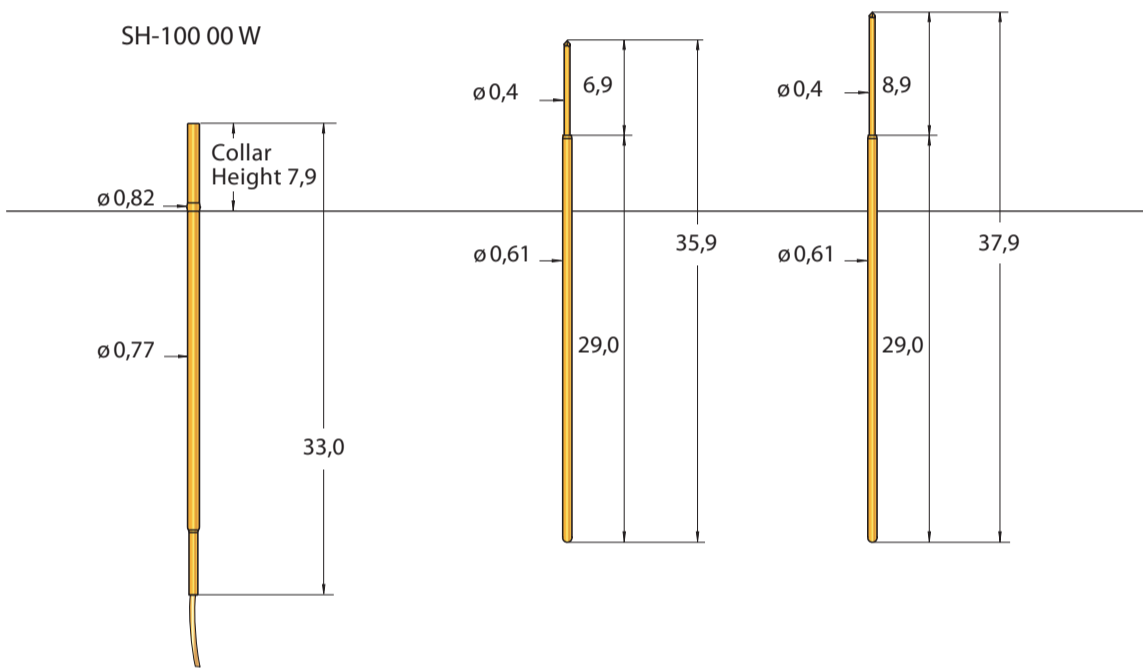


Figure	Type	ø(mm)	Electro- plating
	KR	0,27	A
	RD	0,40	A
	DK	0,40	A

Alternative Head shapes are available.

**Sample Order:**

Series	Head Shape	Ø Head	Electroplating	Lifting Height	Spring Pin	Collar Height
FS 254	FL	20	A	50	15	10

